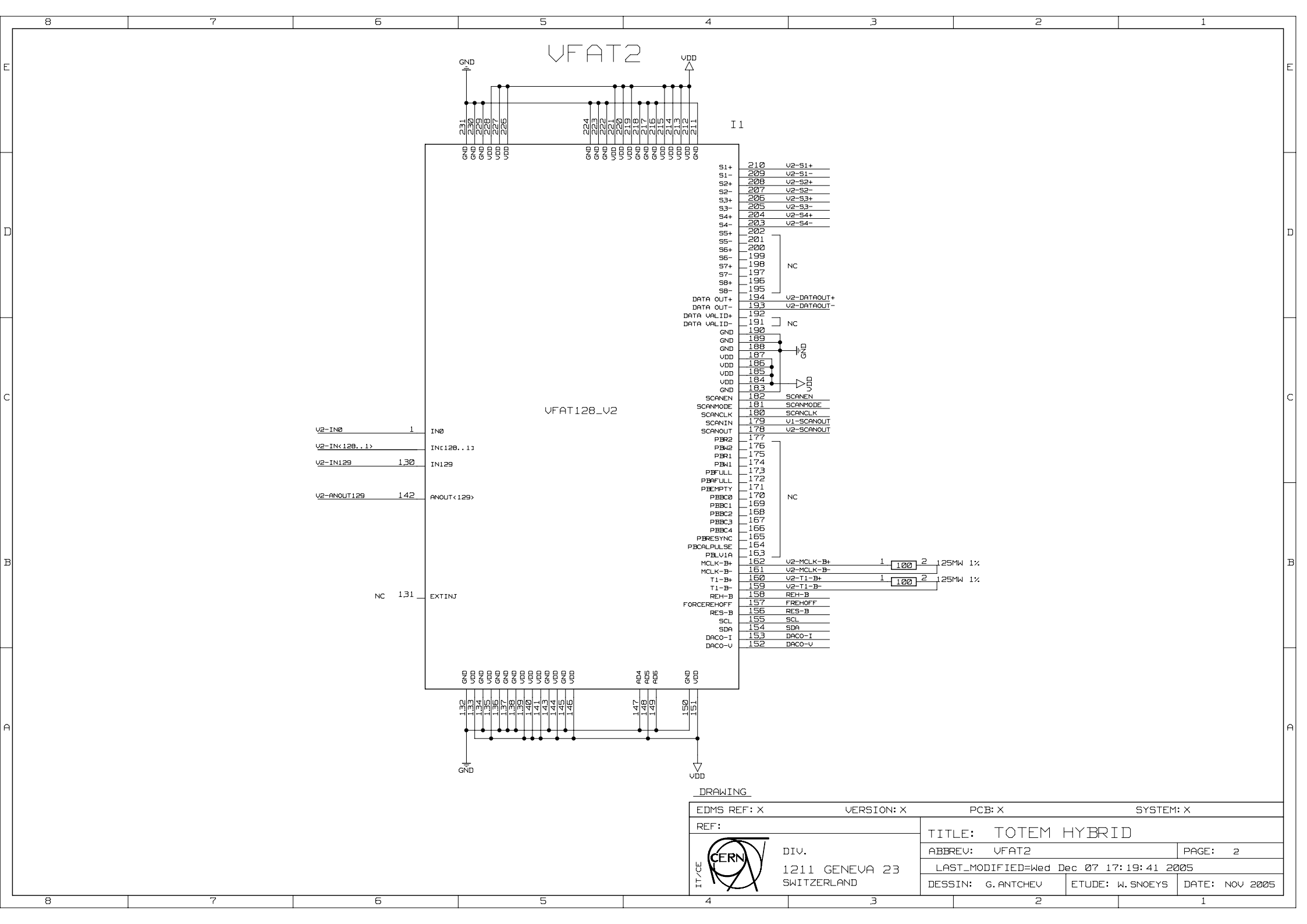


DRAWING

EDMS REF: X	VERSION: X	PCB: X	SYSTEM: X
REF:	TITLE: TOTEM HYBRID		
 IT/CE	DIV. 1211 GENEVA 23 SWITZERLAND		PAGE: 1
	LAST_MODIFIED=Fr 09 Dec 09 13:56:16 2005		
	DESSIN: G. ANTICHEV	ETUDE: W. SNOEYS	DATE: NOV 2005



VFAT2

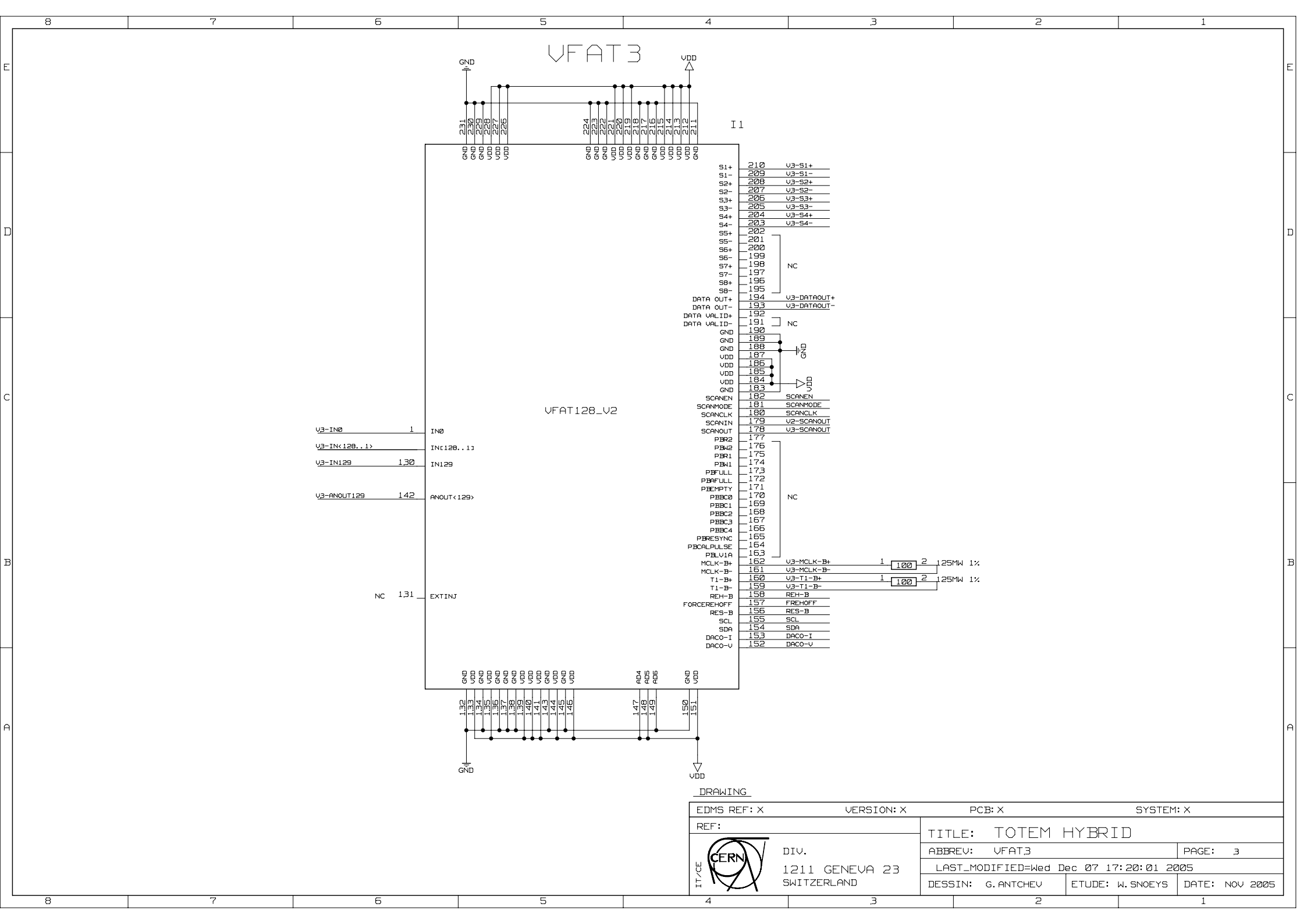
VFAT128_V2

- I1
- S1+ 210 V2-S1+
 - S1- 209 V2-S1-
 - S2+ 208 V2-S2+
 - S2- 207 V2-S2-
 - S3+ 206 V2-S3+
 - S3- 205 V2-S3-
 - S4+ 204 V2-S4+
 - S4- 203 V2-S4-
 - S5+ 202
 - S5- 201
 - S6+ 200
 - S6- 199
 - S7+ 198
 - S7- 197
 - S8+ 196
 - S8- 195
 - DATA OUT+ 194 V2-DATAOUT+
 - DATA OUT- 193 V2-DATAOUT-
 - DATA VALID+ 192
 - DATA VALID- 191
 - GND 190
 - GND 189
 - GND 188
 - VDD 187
 - VDD 186
 - VDD 185
 - VDD 184
 - GND 183
 - GND 182
 - SCANEN 181
 - SCANMODE 180
 - SCANCLK 179
 - SCANIN 178
 - SCANOUT 177
 - PBR2 176
 - PBR1 175
 - PBR0 174
 - PBFULL 173
 - PBFULL 172
 - PBEMPTY 171
 - PBBC0 170
 - PBBC1 169
 - PBBC2 168
 - PBBC3 167
 - PBBC4 166
 - PBRESYNC 165
 - PBALPULSE 164
 - PBCLK-B+ 163
 - MCLK-B+ 162
 - MCLK-B- 161
 - T1-B+ 160
 - T1-B- 159
 - REH-B 158
 - FORCEREHOFF 157
 - RES-B 156
 - SCL 155
 - SDA 154
 - DACO-I 153
 - DACO-V 152

- V2-IN0 1 IN0
- V2-IN<128..1> INC128..11
- V2-IN129 130 IN129
- V2-ANOUT129 142 ANOUT<129>
- NC 131 EXTINJ

DRAWING

EDMS REF: X	VERSION: X	PCB: X	SYSTEM: X
REF:		TITLE: TOTEM HYBRID	
IT/CE 	DIV.	ABBREV: VFAT2	PAGE: 2
	1211 GENEVA 23	LAST_MODIFIED=Wed Dec 07 17:19:41 2005	
	SWITZERLAND	DESSIN: G. ANTICHEV	ETUDE: W. SNOEYS
		DATE: NOV 2005	




VFAT3

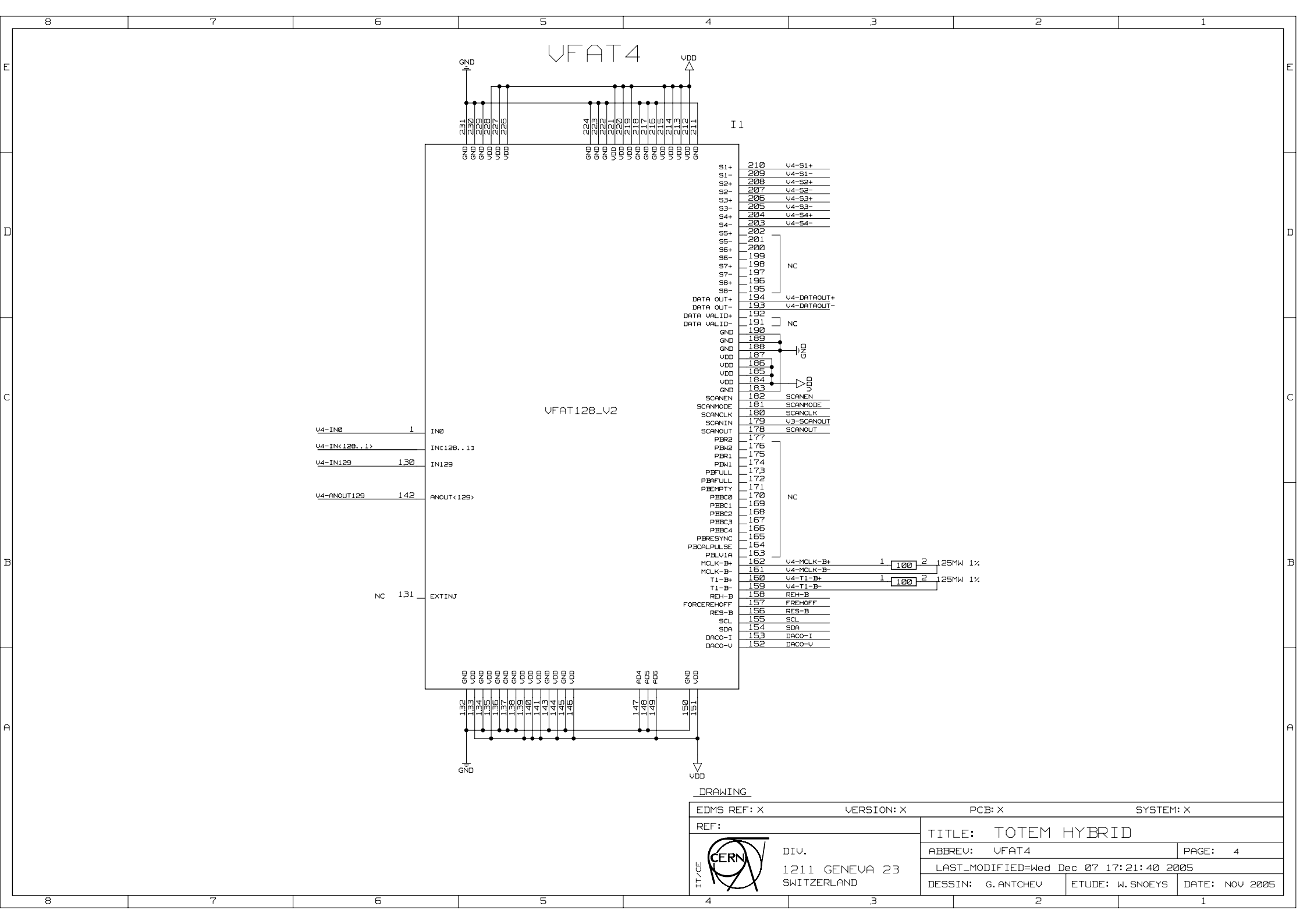
- I 1
- S1+ 210 V3-S1+
 - S1- 209 V3-S1-
 - S2+ 208 V3-S2+
 - S2- 207 V3-S2-
 - S3+ 206 V3-S3+
 - S3- 205 V3-S3-
 - S4+ 204 V3-S4+
 - S4- 203 V3-S4-
 - S5+ 201
 - S5- 200
 - S6+ 199
 - S6- 198
 - S7+ 197
 - S7- 196
 - S8+ 195
 - S8- 195
 - DATA OUT+ 194 V3-DATAOUT+
 - DATA OUT- 193 V3-DATAOUT-
 - DATA VALID+ 192
 - DATA VALID- 191
 - GND 190
 - GND 189
 - GND 188
 - VDD 187
 - VDD 186
 - VDD 185
 - VDD 184
 - GND 183
 - GND 182
 - SCANEN 181
 - SCANMODE 180
 - SCANCLK 179
 - SCANIN 178
 - SCANOUT 177
 - PBR2 176
 - PBR1 175
 - PBR0 174
 - PBFULL 173
 - PBEEMPTY 172
 - PBBC0 171
 - PBBC1 170
 - PBBC2 169
 - PBBC3 168
 - PBBC4 167
 - PBRRESYNC 166
 - PBLVIA 165
 - MCLK-B+ 164
 - MCLK-B- 163
 - T1-B+ 162
 - T1-B- 161
 - REH-B 160
 - FORCEH-OFF 159
 - RES-B 158
 - SCL 157
 - SDA 156
 - DACO-I 155
 - DACO-V 154

VFAT128_V2

- V3-IN0 1 IN0
- V3-IN<128..1> 130 IN<128..1>
- V3-IN129 130 IN129
- V3-ANOUT129 142 ANOUT<129>
- NC 131 EXTINJ

DRAWING

EDMS REF: X	VERSION: X	PCB: X	SYSTEM: X
REF:		TITLE: TOTEM HYBRID	
 DIV. 1211 GENEVA 23 SWITZERLAND	PAGE: 3		
	LAST_MODIFIED=Wed Dec 07 17:20:01 2005		
	DESSIN: G. ANTICHEV	ETUDE: W. SNOEYS	DATE: NOV 2005




VFAT4

- I 1
- S1+ 210 U4-S1+
 - S1- 209 U4-S1-
 - S2+ 208 U4-S2+
 - S2- 207 U4-S2-
 - S3+ 206 U4-S3+
 - S3- 205 U4-S3-
 - S4+ 204 U4-S4+
 - S4- 203 U4-S4-
 - S5+ 201
 - S5- 200
 - S6+ 199
 - S6- 198
 - S7+ 197
 - S7- 196
 - S8+ 195
 - S8- 195
 - DATA OUT+ 194 U4-DATAOUT+
 - DATA OUT- 193 U4-DATAOUT-
 - DATA VALID+ 192
 - DATA VALID- 191
 - GND 190
 - GND 189
 - GND 188
 - VDD 187
 - VDD 186
 - VDD 185
 - VDD 184
 - GND 183
 - GND 182
 - SCANEN 181
 - SCANMODE 180
 - SCANCLK 179
 - SCANIN 178
 - SCANOUT 177
 - PBR2 176
 - PBR1 175
 - PBR0 174
 - PBR4 173
 - PBRULL 172
 - PBRFULL 171
 - PBREMPTY 170
 - PBB0 169
 - PBB1 168
 - PBB2 167
 - PBB3 166
 - PBB4 165
 - PBRRESYNC 164
 - PBRALPULSE 163
 - PBRVIA 162
 - MCLK-B+ 161
 - MCLK-B- 160
 - T1-B+ 159
 - T1-B- 158
 - REH-B 157
 - FORCEREHOFF 156
 - RES-B 155
 - SCL 154
 - SDA 153
 - DACO-I 152
 - DACO-V 151

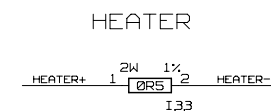
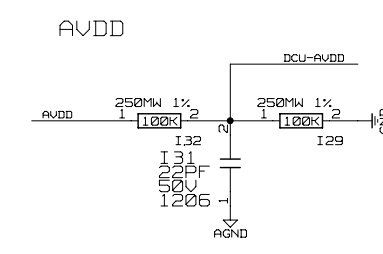
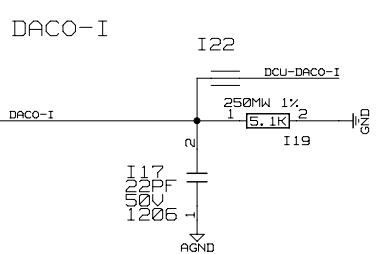
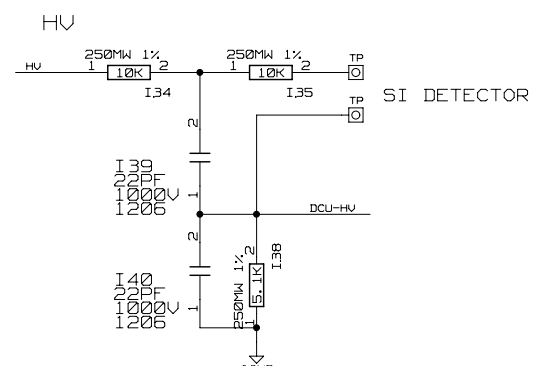
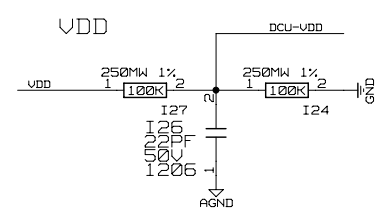
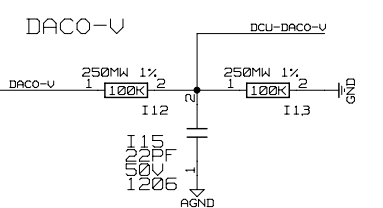
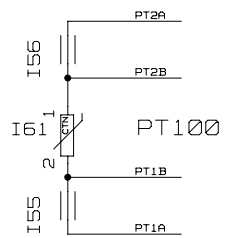
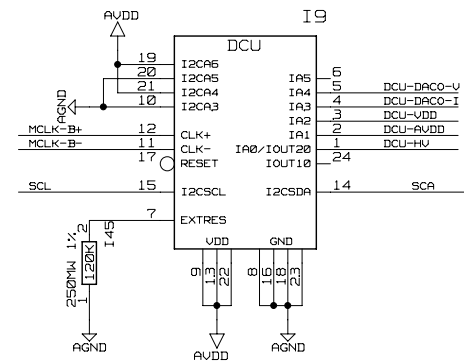
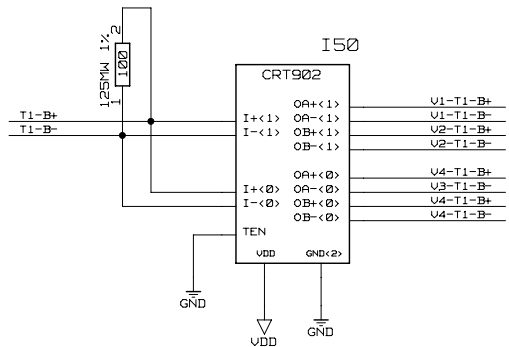
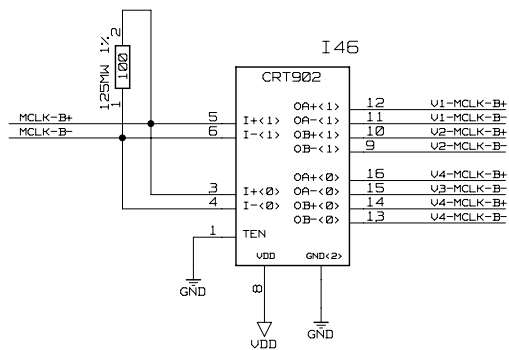
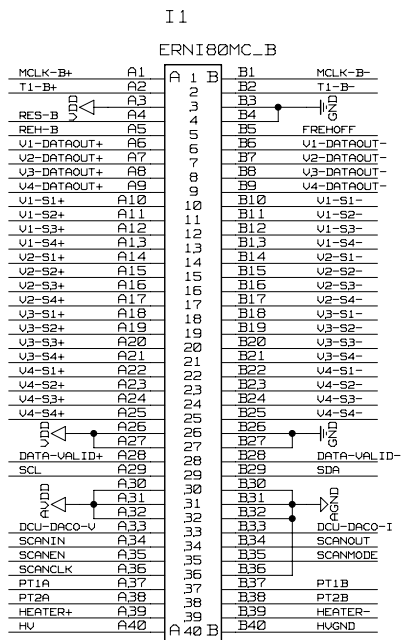
VFAT128_V2

- U4-IN0 1 IN0
- U4-IN<128..1> 130 IN129
- U4-IN129 130 IN129
- U4-ANOUT129 142 ANOUT<129>
- NC 131 EXTINJ

DRAWING

EDMS REF: X	VERSION: X	PCB: X	SYSTEM: X
REF:		TITLE: TOTEM HYBRID	
IT/CE 	DIV. 1211 GENEVA 23 SWITZERLAND		PAGE: 4
	LAST_MODIFIED=Wed Dec 07 17:21:40 2005		DESSIN: G. ANTICHEV
	DATE: NOV 2005		ETUDE: W. SNOEYS

CONNECTOR



DRAWING

EDMS REF: X	VERSION: X	PCB: X	SYSTEM: X
REF:		TITLE: TOTEM HYBRID	
DIV. 1211 GENEVA 23 SWITZERLAND		ABBREV: CONNECTOR & CONTROL	PAGE: 5
IT/CE		DESSIN: G. ANTICHEV	ETUDE: W. SNOEYS
		DATE: NOV 2005	